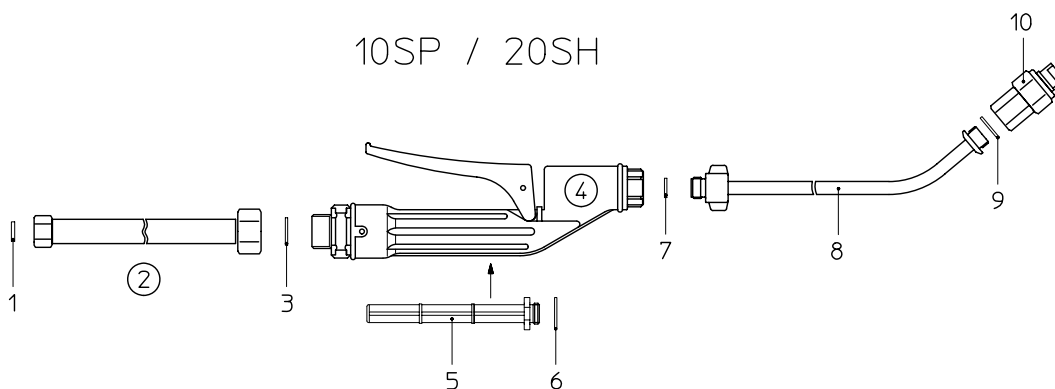


10SP / 20SH



Spraying equipment for Spray-Matic 10 SP / 20 SH				
No	Gasket set consisting of:	10SP/20SH	10856501-SB	700823
1	Gasket 11x7.6x2			
3	Gasket 17x11x1.5			
7	Gasket 11.9x7x1.5			
9	Gasket 17x12.7x2			
No	Spare parts	For model		
2	Hose assy. 2 m 1/4"-1/2"	10SP/20SH	10834225	
4	Trigger assy.	10SP/20SH	10966106	
5	Filter	10SP/20SH	10828301	
6	Gasket 20x11x1.5 Minimum order qty. 5 pcs	10SP/20SH	11414605	
8	Spray tube 50 cm, curved stainless steel	10SP/20SH	11669801	
9	Gasket 17x12.7 x 2 (PE) for all 1/4"o; 12 pcs. per pack		11642403-SB	040035
10	Fanjet nozzle XR 8002 VS, assy.	10SP/20SH	11612803-SB	100302



Foam Cleaner 20 *		11672005	
Accessories (Pictures see page 30)			
Hose 4 m		10834214	710358
Hose 6 m		10834215	710365
Hose 8 m		10834216	710372
Spray tube assy., 1 m, high-grade steel		11544902	
Connection 1/4"i-3/8"i, to connect extensions		11811802	

* Special discount rate for dealers