

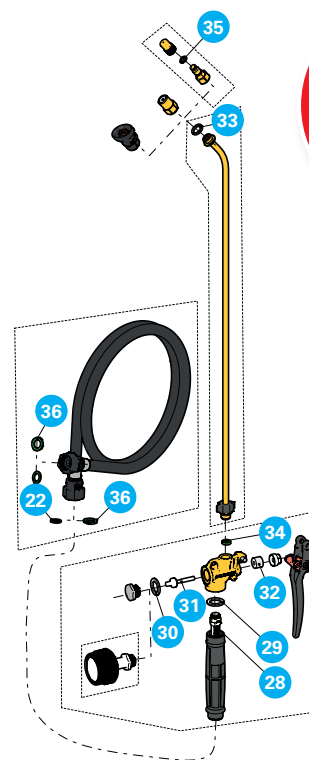
Art.Nr. 12058001-SB

Dichtungssatz Sprühleitung | Gasket set spraying equipment | Jeu de joints pour lance | Set di guarnizioni per impugnatura

Flox 10 / Iris 15 / Senior 20 / Spray-Matic 10 B / REC 15

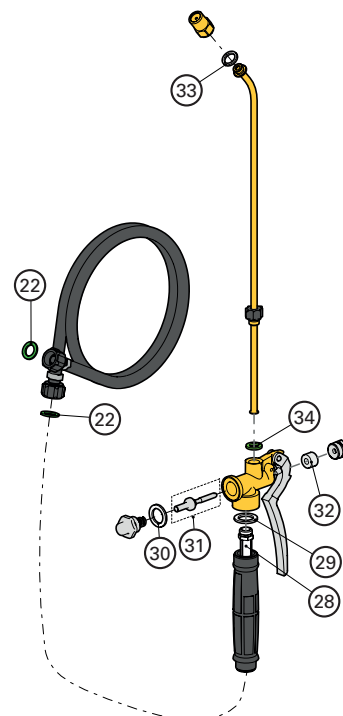
Für Flox 10 / Iris 15 (AT1, AT2, AT3, AT5, PT1, AD1, AD3, PD1) / Spray-Matic 10 B und REC 15 (AC1, AC2, AC5, PC1, PZ1; DC1) ab 2019
 For Flox 10 / Iris 15 (AT1, AT2, AT3, AT5, PT1, AD1, AD3, PD1) / Spray-Matic 10 B and REC 15 (AC1, AC2, AC5, PC1, PZ1; DC1) from 2019
 Pour Flox 10 / Iris 15 (AT1, AT2, AT3, AT5, PT1, AD1, AD3, PD1) / Spray-Matic 10 B et REC 15 (AC1, AC2, AC5, PC1, PZ1; DC1) à partir de 2019
 Per Flox 10 / Iris 15 (AT1, AT2, AT3, AT5, PT1, AD1, AD3, PD1) / Spray-Matic 10 B e REC 15 (AC1, AC2, AC5, PC1, PZ1; DC1) dal 2019

29	Flachdichtung Gasket Joint Guarnizione	24 x 16.2 x 2
30	Flachdichtung Gasket Joint Guarnizione	24 x 16.2 x 2
22	Flachdichtung Gasket Joint Guarnizione	17 x 11 x 1.5 (2 x)
33	Flachdichtung Gasket Joint Guarnizione	17 x 12.7 x 2
34	Flachdichtung Gasket Joint Guarnizione	12.2 x 7 x 3
35	O-Ring O-ring Joint torique O-ring	7.66 x 1.78
32	Stopfbüchspackungsring Gland packing Garniture presse-étoupe Baderna	14.7 x 5.1 x 10.5
31	Ventilstange Valve rod Tige de soupape Asta della valvola	
31	Formdichtung Shaped packing Joint d'étanchéité en form Guarnizione	11.8 x 4 x 4
31	Fassung Rim Support Montaggi	
28	Filter Filter Filtre Filtro	
Ab From À partir de Dal 2024		
36	Flachdichtung Gasket Joint Guarnizione	18.5 x 12 x 2



Für Flox 10, Iris 15, Senior 20, Spray-Matic 10 B und REC 15 PZ1 bis 2018
 For Flox 10, Iris 15, Senior 20, Spray-Matic 10 B and REC 15 PZ1 to 2018
 Pour Flox 10, Iris 15, Senior 20, Spray-Matic 10 B et REC 15 PZ1 à 2018
 Per Flox 10, Iris 15, Senior 20, Spray-Matic 10 B e REC 15 PZ1 a 2018

30	Flachdichtung Gasket Joint Guarnizione	24 x 16.2 x 2
29	Flachdichtung Gasket Joint Guarnizione	24 x 16.2 x 2
22	Flachdichtung Gasket Joint Guarnizione	17 x 11 x 1.5 (2 x)
33	Flachdichtung Gasket Joint Guarnizione	17 x 12.7 x 2
34	Flachdichtung Gasket Joint Guarnizione	12.2 x 7 x 3
32	Stopfbüchspackungsring Gland packing Garniture presse-étoupe Baderna	14.7 x 5.1 x 10.5
31	Ventilstange Valve rod Tige de soupape Asta della valvola	
28	Filter Filter Filtre Filtro	



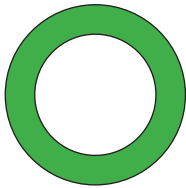
i Rückseite beachten
 Note back
 Veuillez lire le verso
 Nota sul retro

Art.Nr. 12058001-SB

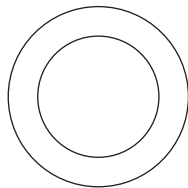
Dichtungssatz Sprühleitung | Gasket set spraying equipment | Jeu de joints pour lance | Set di guarnizioni per impugnatura

Flox 10 / Iris 15 / Senior 20 / Spray-Matic 10 B / REC 15

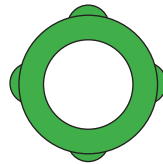
Flachdichtung
Gasket
Joint
Guarnizione



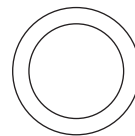
29 29 24 x 16.2 x 2



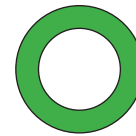
30 30 24 x 16.2 x 2



36 18.5 x 12 x 2



33 33 17 x 12.7 x 2



22 22 17 x 11 x 1.5
(2 x)



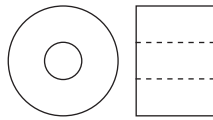
34 34 12.2 x 7 x 3

O-Ring
O-ring
Joint torique
O-ring



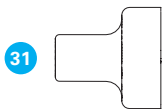
35 7.66 x 1.78

Stopfbüchspackungsring
Gland packing
Gorniture presse-étoupe
Guarnizione pressacavo



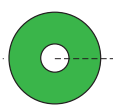
32 32 14.7 x 5.1 x 10.5

Fassung
Rim
Support
Porta asta

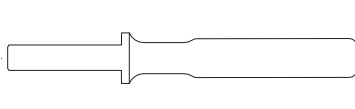


31

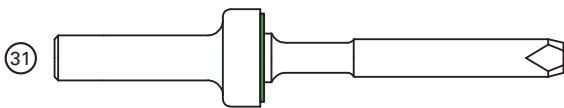
Formdichtung
Shaped packing
Joint d'étanchéité en form
Guarnizione



Ventilstange
Valve rod
Tige de soupape
Asta della valvola

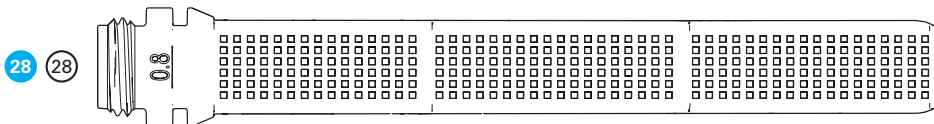


Ventilstange
Valve rod
Tige de soupape
Asta della valvola



31

Filter
Filter
Filtre
Filtro



28 28

● Version ab 2019
Version from 2019
Version à partir de 2019
Versione dal 2019

○ Version bis 2018
Version to 2018
Version à 2018
Versione a 2018