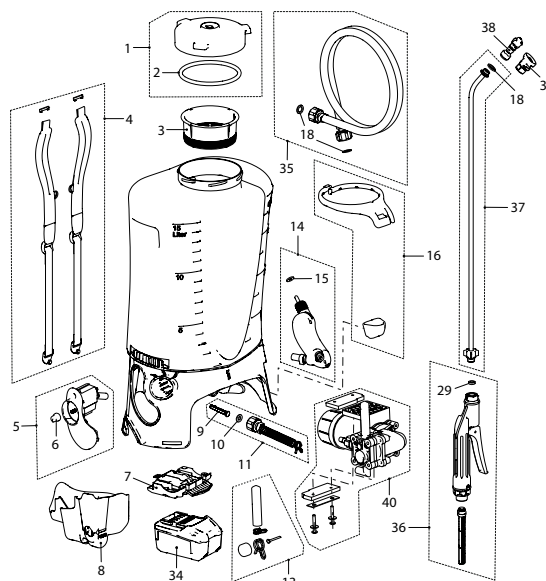


Incl. fine hollow cone nozzle NF 125
and fanjet nozzle TPU 8002 PP



REC 15 PC4



REC 15 PC4, backpack sprayer (15 litres) incl. battery pack and charger EU

12094601

011516

Accessories (Pictures see page 80 ff)

AS 1200, battery spray blower

12052101

210957

Spray tube 1 m, stainless steel, G1/4"e-G1/4"e

11669802

110578

No Gasket set consisting of:

11955001

400518

2 Gasket 108x7

9 Filter

10 Gasket 15x7x1.5

15 Gasket 15x5.5x2

18 Gasket 17x11x1.5

29 Gasket 12.2x7x3

No Spare parts

1 Lid ø137 mm

10397202-SB

151007

3 Filter screen

77009699-SB

151038

4 Carrying belt (pair)

11923401

113722

5 Electronic

12076201

150970

6 Potentiometer knob, **minimum order qty. 5 pcs**

11922701

720883

7 Battery fixing plate

12075501

151106

8 Motor cover complete

11948701

200101

11 Suction tube

12078501

151380

13 Diaphragm and pulsation damper set

11998301

710884

14 Air vessel

11933302

210346

16 Spray tube support

11934001

113951

18 Gasket 17x11x1.5; 10 pcs per pack

11927301

113739

34 Battery pack 18 V Li-Power / 4.0 Ah *

12071401

150895

Quick-charger ASC 55, 230-240 V, EU - plug type C *

12070101

150864

35 Hose 1.3 m, G1/2"-G1/2", oil resistant

11956301

400501

36 Trigger Profi G1/2"

10966106

110608

Gasket set for trigger

11664910

040851

37 Spray tube 50 cm curved, stainless steel

11669801

110622

38 Fine hollow cone nozzle NF 125, G1/4"

12094201

011424

39 Fanjet nozzle PP/Viton, TPU 8002 PP (grey)

11932703

400198

40 Pump and motor

12099102

011943

AS 1200, battery spray blower (see page 32)

12052101

210957

Accessories

Battery backpack carrying unit for A 50 AC1 / A 75 / A 130 / BM 1035 AC1

12068101

150826

Fine hollow cone nozzle NF 125, G1/4"

12094201

011424

* Further information about the battery packs (2.0 - 10.0 Ah) and chargers, see page 9 and 81