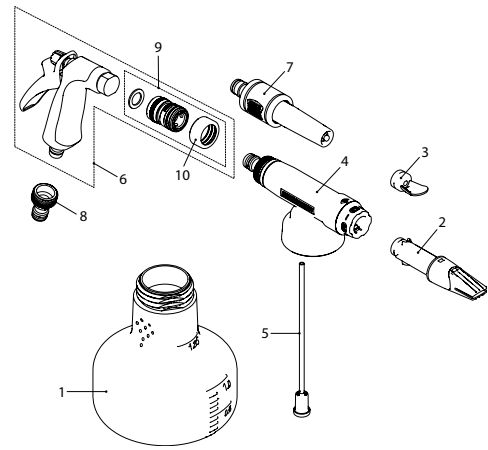




Vario-Matic 1.25 PE



Closing cap



**Vario-Matic 1.25 PE, foam gun (acids and alkalis)**

11975001

20221

**Accessories**

Printed tank 1.25 l (blue)

11968502

720944

Closing cap

11980101

710624

**No Spare parts**

1 Printed tank 1.25 l (red)

11968501

710693

2 Fan-shaped foam nozzle

11981401

710631

3 Deflector

11967501

710709

4 Dispensing head

11981501

710648

5 Suction hose

11981601

710655

6 Hand valve

11981701

710662

7 Spray nozzle

11980201

710679

8 Additional quick connector (Gardena compatible)

11973901

710686

9 Quick coupling G3/4"

12033501

031804

10 Rubber protection ring

12046901

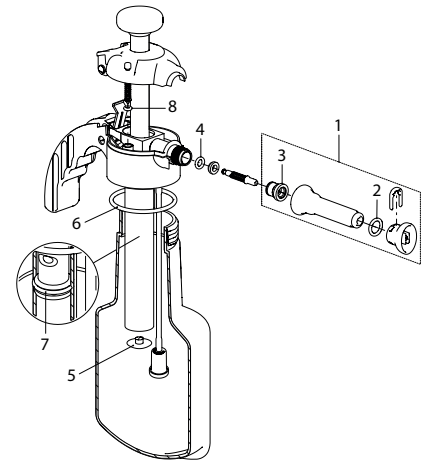
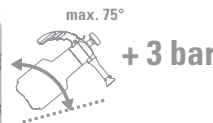
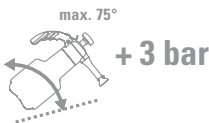
150451



Foam-Matic 1.25 P / 75°



Foam-Matic 1.25 E / 75°



Foam nozzle 45 cm bendable, fix

See also to **Clean-Matic 1.25 P/E, 360°** with optional foam nozzle, page 50

**Foam-Matic 1.25 P, compression foamer 75° (acids)**

11976501

130989

**Foam-Matic 1.25 E, compression foamer 75° (alkalis)**

11976601

130996

**Accessories**

Foam nozzle 45 cm bendable, fix

12060401

150444

**Gasket set Foam-Matic 1.25 P, No 2,3,4,5,6,7,8**

11614802-SB

700427

**Gasket set Foam-Matic 1.25 E, No 2,3,4,5,6,7,8**

11614804

110349

**No Spare parts**

1 Foam tube Foam-Matic 1.25 P

11926201

113708

1 Foam tube Foam-Matic 1.25 E

11927101

113715