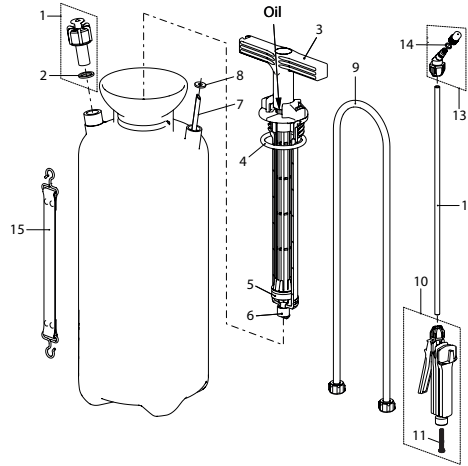




Organic Star 5

Especially
acetic acid
resistant

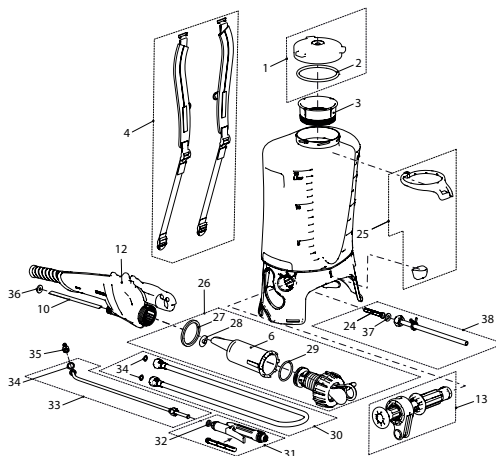


Organic Star 5, compression sprayer (5 litres)		11980001	121413
Accessories (Pictures see page 78 ff)			
	Pressure control valve PR 3 E1 (adjustable), see page 6	12098901-SB	011929
	Glass fibre reinforced plastic spray tube, length 1 m	11497403	100890
	Spray hood oval, compression fitting	11871101	110066
	Spray hood round, ø12.5 cm, compression fitting	11864801	110042
No	Gasket set, No 2,4,5,6,8,11,14	11981301	400921
No	Spare parts		
1	Safety and pressure relief valve 3 bar	11669609	110431
3	Pump black PP EPDM	11981101	400914
7	Suction tube L = 435 mm, minimum order qty. 5 pcs	10450502	040844
9	Hose 1.3 m, G1/2"-G1/2"	11902001	400174
10	Trigger G1/2"	11488705	110493
12	Spray tube 40 cm straight, plastic, minimum order qty. 5 pcs	11631101	040813
13	Adjustable nozzle 1.3 mm, plastic	11323003	400938
15	Carrying belt	10453601	100739



Organic Star 15

Especially
acetic acid
resistant



Organic Star 15, backpack sprayer (15 litres)		11998001	010236
Accessories (Pictures see page 78 ff)			
	Pressure control valve PR 3 E1 (adjustable), see page 6	12098901-SB	011929
	Spray tube 1 m, stainless steel, G1/4"e-G1/4"e	11669802	110578
	Professional spray hood oval, screw fitting, brass free	12162401	053189
	Spray hood round, ø12.5 cm, screw fitting	11998601	710891
No	Gasket set, No 2,6,10,24,27,28,29,32,34,36,37	12005101	710983
No	Spare parts		
1	Lid ø137 mm	10397202-SB	151007
3	Filter screen	77009699-SB	151038
4	Carrying belt (pair)	11923401	113722
12	Pump lever	11920201	113913
13	Pump lever joint	11939401	113920
25	Spray tube holder	11934001	113951
26	Pump (without pump lever)	11986901	710990
30	Hose complete 1.3 m, G1/2"-G1/2"	12098301	011844
31	Trigger G1/2"	10966107	110615
	Gasket set for trigger	11973801	400853
33	Spray tube 50 cm curved, stainless steel	11669803	110639
35	Floodjet nozzle 1.6 mm (blue) (Herbicide nozzle)	10501803-SB	100241
38	Suction tube-set	11999701	710976