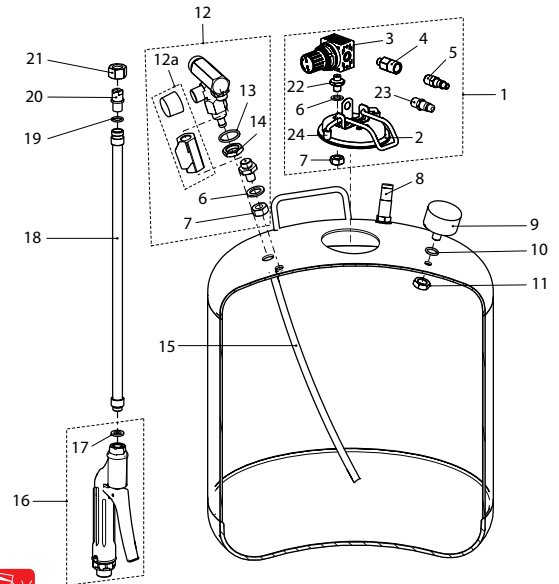




Indu-Matic 50 M



Indu-Matic 100 M



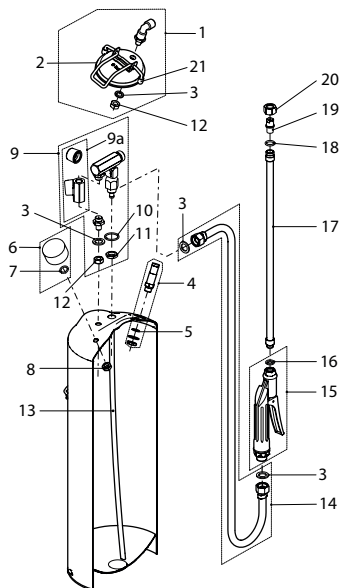
Indu-Matic 50 M, without cart and hose *	11664801	122298
Indu-Matic 100 M, without cart and hose *	11664802	122304
Accessories (Pictures see page 78 ff)		
Handcart high-grade steel incl. fixation for Indu-Matic 50 M + 100 M	11646401	030074
Hose 4 m, G1/2"-G1/2"	10834214	710358
Hose 6 m, G1/2"-G1/2"	10834215	710365
Hose 8 m, G1/2"-G1/2"	10834216	710372
Hose 15 m, G1/2"-G1/2"	10834226	113241
Compressed air hose, incl. quick coupling, length 10 m	11590001	701462
Spray tube 50 cm curved, stainless steel	11669801	110622
Fanjet nozzle G1/4"i, XR 8002 VS (yellow)	11612803-SB	100302
No Gasket set consisting of:	11593601	700939
6 Gasket 17x11x1.5		
10 Gasket 14x9.7x1.5		
13 O-ring 17.17x1.78		
17 Gasket 12.2x7x3		
19 O-ring 10x2		

* Different discount rate for large units

Detailed spare parts list and accessories see www.birchmeier.com



Foam Cleaner 20



Foam Cleaner 20, incl. hose 4 m	11672005
---------------------------------	----------

Detailed spare parts list and accessories see www.birchmeier.com