



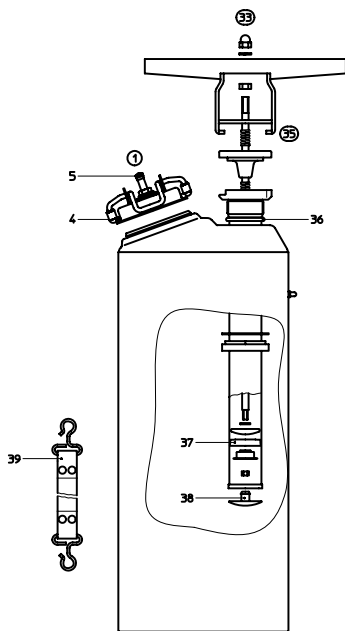
Spray-Matic 5 S, hand pump and compressed-air union	11381701	122014
Spray-Matic 5 SI, without hand pump, with compressed-air union	11868401	
Spray-Matic 5 SI, stainless steel hand pump + compressed-air union	11840101	
Spray-Matic 10 S, hand pump and compressed-air union	11380002	122021
Spray-Matic 10 S, compressed-air union	11380004	122038
Spray-Matic 10 SP, stainless steel hand pump + compressed-air union	11380001	122045
Spray-Matic 10 SP, compressed-air union	11380003	122052
Spray-Matic 20 S, without reducing valve (with hand cart)	11648202	122243
Spray-Matic 20 S, with reducing valve -type controlled (with hand cart)	11648201	122281
Spray-Matic 20 SH, without reducing valve (with hand cart)	11648204	

all units without hand cart except Spray-Matic 20 S and 20SH

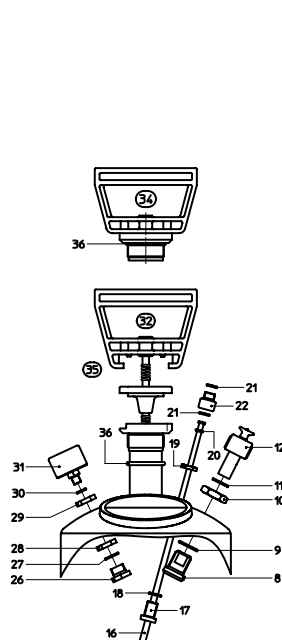
Accessories (Pictures see page 30)

Carrying unit universal	5S/10S/10SP	11828301	100623
Hand cart assy., high-grade steel	10S/10SP	11801501	
Pump assy., stainless steel, viton	5S/10S/10SP	11833017	
Closing cap with handle (inst. of hand pump)	5S/10S/10SP	11380601	100630
Spray lance 1 m straight, brass, 1/4"-1/4"o	all models	10960601	100463
Spray lance 1 m straight, stainless steel, G1/4"o-1/4"o	all models	11669802	
CF Valve (constant flow valve) 1.45 bar (also available as 1.0 bar; 2.0 bar; 3.0 bar)		11698403	

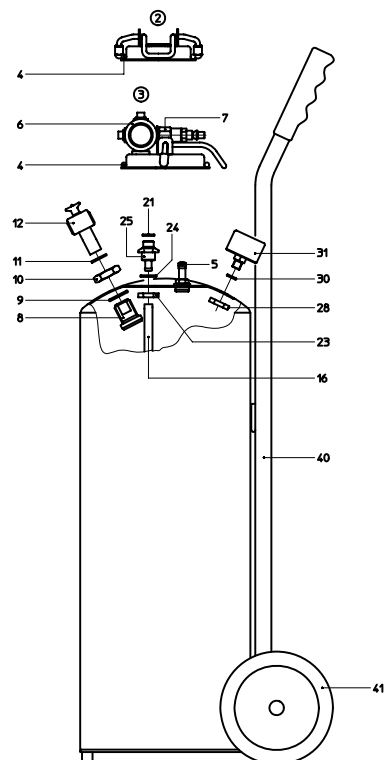
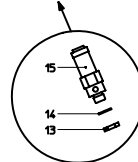
5S / 10S
5SI / 10SP



20S / 20SH

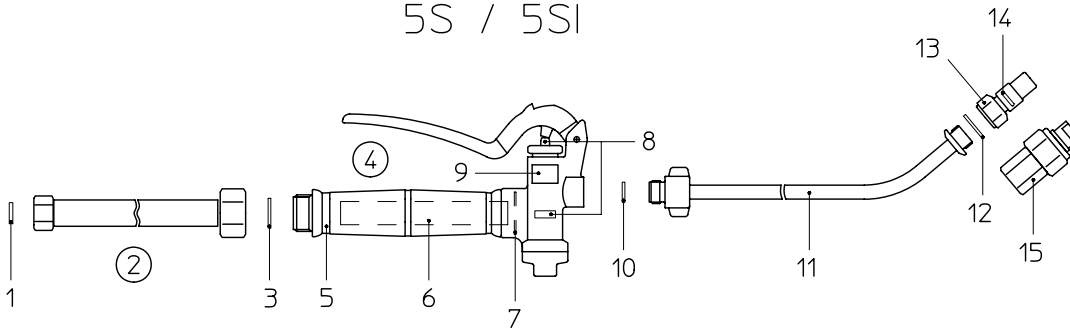


Previous variant
Pressure relief valve G1/4"



<i>For model</i>			
<i>No</i>	<i>Gasket set consisting of:</i>	5S/SI/10S/SP	11390201-SB
11	Gasket 21x15.4x2		
20	O-Ring 5.28x1.78		
21	O-Ring 10x2		
30	O-Ring 9.25x1.78		
37	Sleeve		
38	Pump gasket		
<i>No</i>	<i>Gasket set consisting of:</i>	20S/SH	11390202-SB
11	Gasket 21x15.4x2		
14	Gasket 17x11x1.5 (previous variant)		
21	O-Ring 10x2		
24	O-Ring 17.17x1.78		
30	O-Ring 9.25x1.78		
<i>No</i>	<i>Spare parts</i>	<i>For model</i>	
1	Fillier cap with valve assy.	5S/SI	11647111
1	Fillier cap with valve assy.	10S/SP	11647104
2	Filler cap without reducing valve assy.	20S/SH	11647103
3	Filler cap with reducing valve assy.	20S/SH	11647105
4	O-Ring 86x6	all models	50117140
5	Valve	all models	11417101
6	Reducing valve assy.	20S/SH	11560101
7	Non-return valve	20S/SH	11459101
8	Nipple Minimum order qty. 5 pcs	all models	10473601 701059
9	O-Ring 23.18x2.62 Minimum order qty. 5 pcs	all models	50117048 701042
10	Nut M24x2 Minimum order qty. 5 pcs	all models	10473501
12	Safety valve 6 bar	5S/10S	11617903-SB 710198
12	Safety valve 6 bar stainless steel	5SI/10SP/20S/SH	11669608
13	Nut G1/4" (previous variant)	20S	41208002
15	Safety valve 6 bar G1/4" (previous variant)	20S	11696201
16	Suction tube 382 mm	5S/SI	11379702
16	Suction tube 495 mm	10S	11379703
16	Suction tube 525 mm	10SP	11379701
16	Suction tube 715 mm	20S/SH	11468201
17	Nipple G1/4"	5S/SI/10S/SP	10984501
18	O-Ring 12.42x1.78 Minimum order qty. 5 pcs	5S/SI/10S/SP	50117023 701165
19	Nut G1/4"	5S/SI/10S/SP	41208002
22	Double nipple 1/4"a-1/4"i	10S	11398401
23	Nut G3/8" Minimum order qty. 5 pcs	20S/SH	41208702
25	Double nipple G3/8"-G1/4"	20S/SH	11646701
26	Nipple G3/8"-G1/8"	10SP	11380801
27	O-Ring 15.6x1.78 Minimum order qty. 5 pcs	10SP	50117028 701189
28	Hex. nut G 1/8" Minimum order qty. 5 pcs	5S/SI/10S/20S/SH	10806101 701073
29	Nut G3/8" Minimum order qty. 5 pcs	10SP	41208702
31	Manometer with O-ring	5S/10S/20S/SH	10409601
31	Manometer with O-ring	5SI/10SP	11665001
32	Brass pump assy.	5S	10984701 122205
32	Stainless steel pump assy.	5SI/10SP	11833017
33	Brass pump assy.	10S	10485001
34	Closing cap with handle	10S/SP	11380601
35	Piston rod assy.	5S	10984703 122229
35	Piston rod assy.	5SI/10SP	11833020
35	Piston rod assy.	10S	10485003
36	O-Ring 40x4 Minimum order qty. 5 pcs	5S/SI/10S/SP	50117077
37	Sleeve, 6 pcs per pack	5S/SI/10S/SP	11642701-SB 40059
39	Carrying belt assy.	5S/5SI	10453601
40	Handcart assy.	20S/SH	11801501
41	Wheel	20S/SH	11806101

5S / 5SI

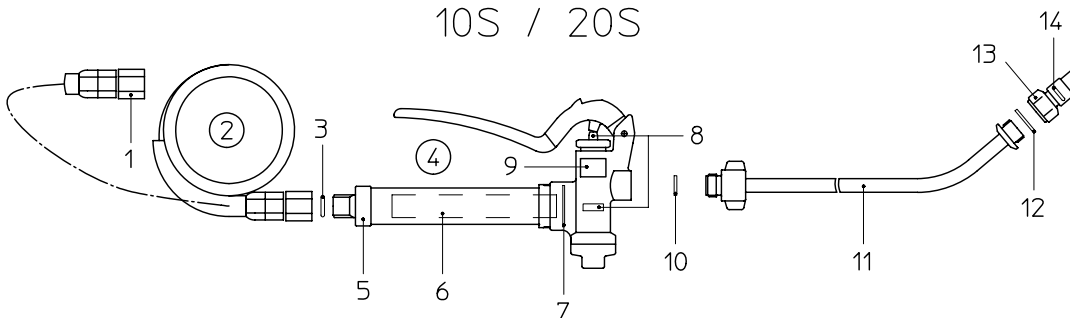


Spraying equipment for Spray-Matic 5 S / 5 SI

No	Gasket set consisting of:	5S/SI	10856501-SB	700823
1	Gasket 11x7.6x2			
3	Gasket 17x11x1.5			
7	Gasket 24x16.2x2			
8	Valve with gasket			
9	Gland packing			
10	Gasket 11.9x7x1.5			
12	Gasket 17x12.7x2			
14	O-Ring 7.66x1.78			

No	Spare parts	For model		
2	Hose assy. 1.2 m 1/4"-1/2"	5S/SI	11859601	
4	Trigger assy. brass nickel-plated	5SI	10504017	
4	Trigger assy. brass	5S	10504018	
5	Handle plastic	5S/SI	10392201-SB	100944
6	Filter	5S/SI	10828301	
11	Spray tube 40 cm, curved brass	5S	11370703	700281
11	Spray tube 50 cm, curved stainless steel	5SI	11669801	
13	Adjustable nozzle 1.3 mm assy. brass	5S	28502598-SB	100173
12	Gasket 17x12.7 x 2 (PE) for all 1/4"o; 12 pcs. per pack		11642403-SB	040035
15	Fanjet nozzle XR 8002 VS, assy.	5SI	11612803-SB	100302

10S / 20S

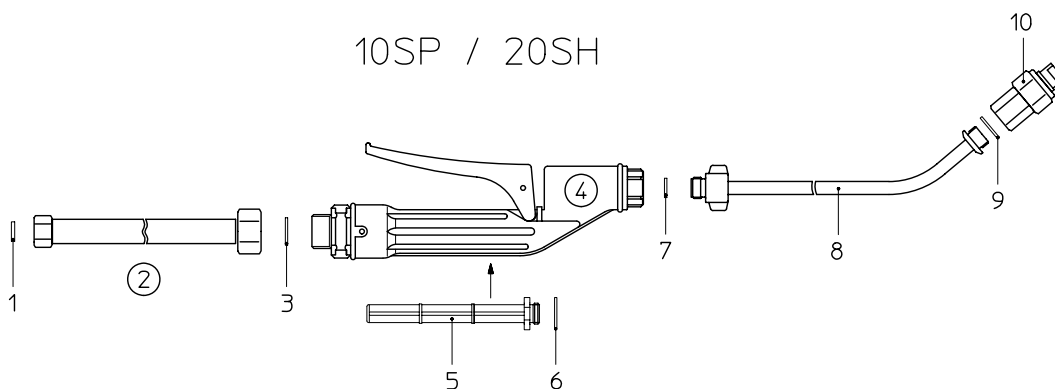


Spraying equipment for Spray-Matic 10 S / 20 S

No	Gasket set consisting of:	10S/20S	10856501-SB	700823
3	O-Ring 10x2			
7	Gasket 24x16.2x2			
8	Valve with gasket			
9	Gland packing			
10	Gasket 11.9x7x1.5			
12	Gasket 17x12.7x2			
14	O-Ring 7.66x1.78			

No	Spare parts	For model		
1	Screwed joint	10S/20S	11423201	
2	Spiral hose	10S/20S	11482901	
4	Trigger assy.	10S/20S	10504012	
5	Brass handle 1/4"	10S/20S	71407299	100968
6	Filter	10S/20S	10828301	
11	Spray tube 50 cm, curved, brass	10S/20S	11370704	700311
12	Gasket 17x12.7 x 2 (PE) for all 1/4"o; 12 pcs. per pack		11642403-SB	040035
13	Adjustable nozzle 1.3 mm assy.	10S/20S	28502598-SB	100173

10SP / 20SH



Spraying equipment for Spray-Matic 10 SP / 20 SH				
No	Gasket set consisting of:	10SP/20SH	10856501-SB	700823
1	Gasket 11x7.6x2			
3	Gasket 17x11x1.5			
7	Gasket 11.9x7x1.5			
9	Gasket 17x12.7x2			
No	Spare parts	For model		
2	Hose assy. 2 m 1/4"-1/2"	10SP/20SH	10834225	
4	Trigger assy.	10SP/20SH	10966106	
5	Filter	10SP/20SH	10828301	
6	Gasket 20x11x1.5 Minimum order qty. 5 pcs	10SP/20SH	11414605	
8	Spray tube 50 cm, curved stainless steel	10SP/20SH	11669801	
9	Gasket 17x12.7 x 2 (PE) for all 1/4"o; 12 pcs. per pack		11642403-SB	040035
10	Fanjet nozzle XR 8002 VS, assy.	10SP/20SH	11612803-SB	100302



Foam Cleaner 20 *		11672005	
Accessories (Pictures see page 30)			
Hose 4 m		10834214	710358
Hose 6 m		10834215	710365
Hose 8 m		10834216	710372
Spray tube assy., 1 m, high-grade steel		11544902	
Connection 1/4"i-3/8"i, to connect extensions		11811802	

* Special discount rate for dealers